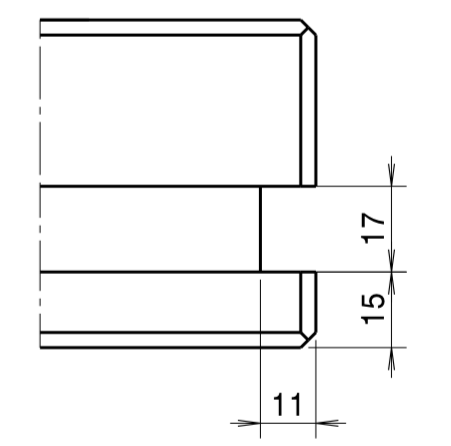
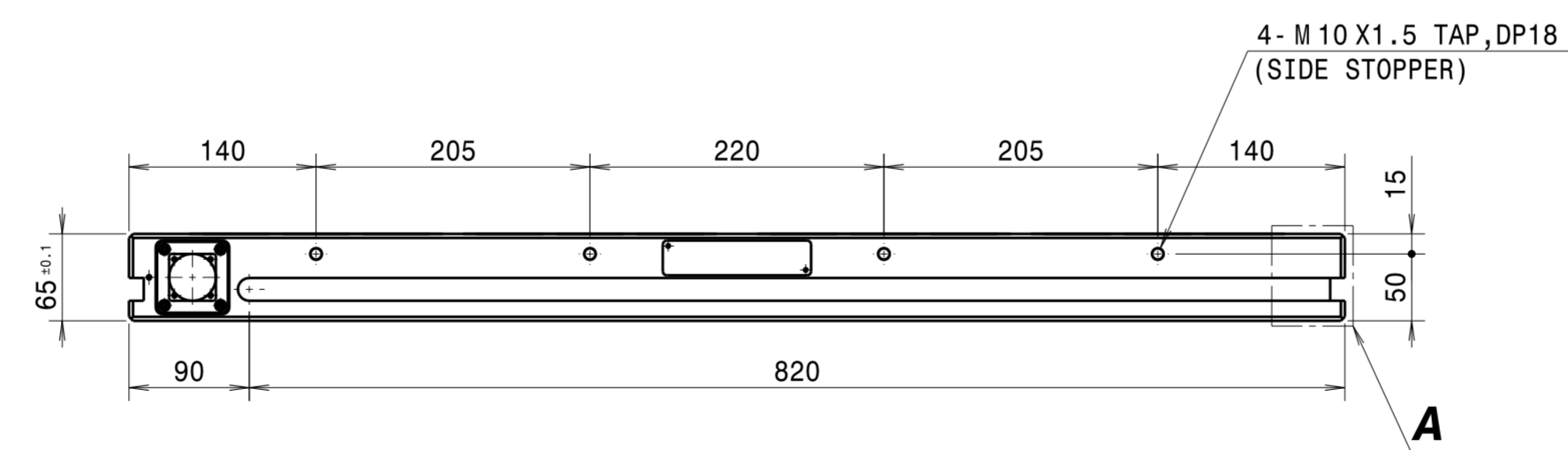
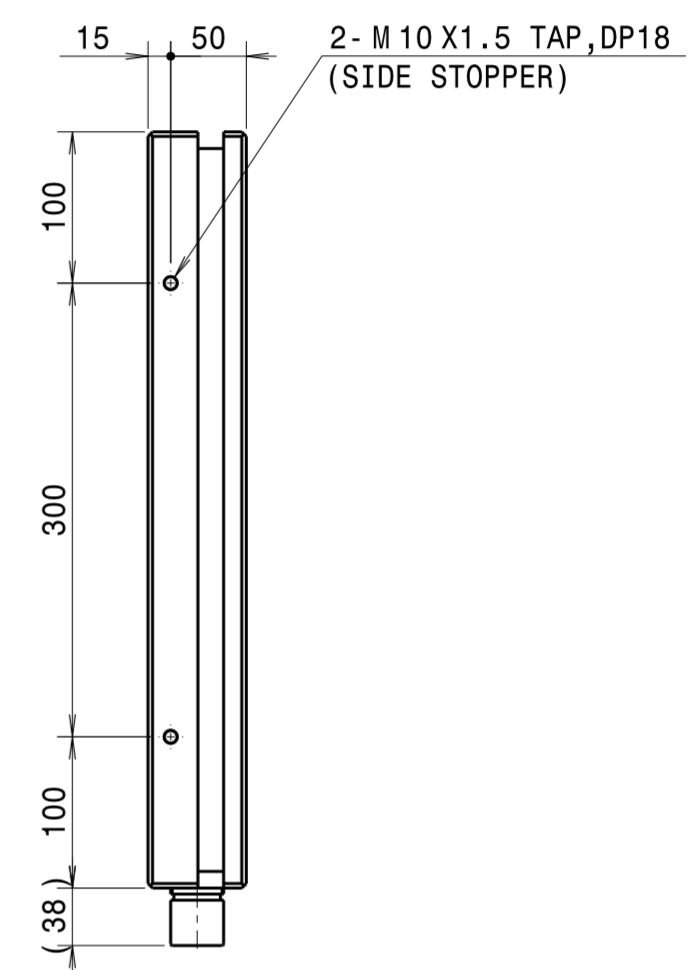
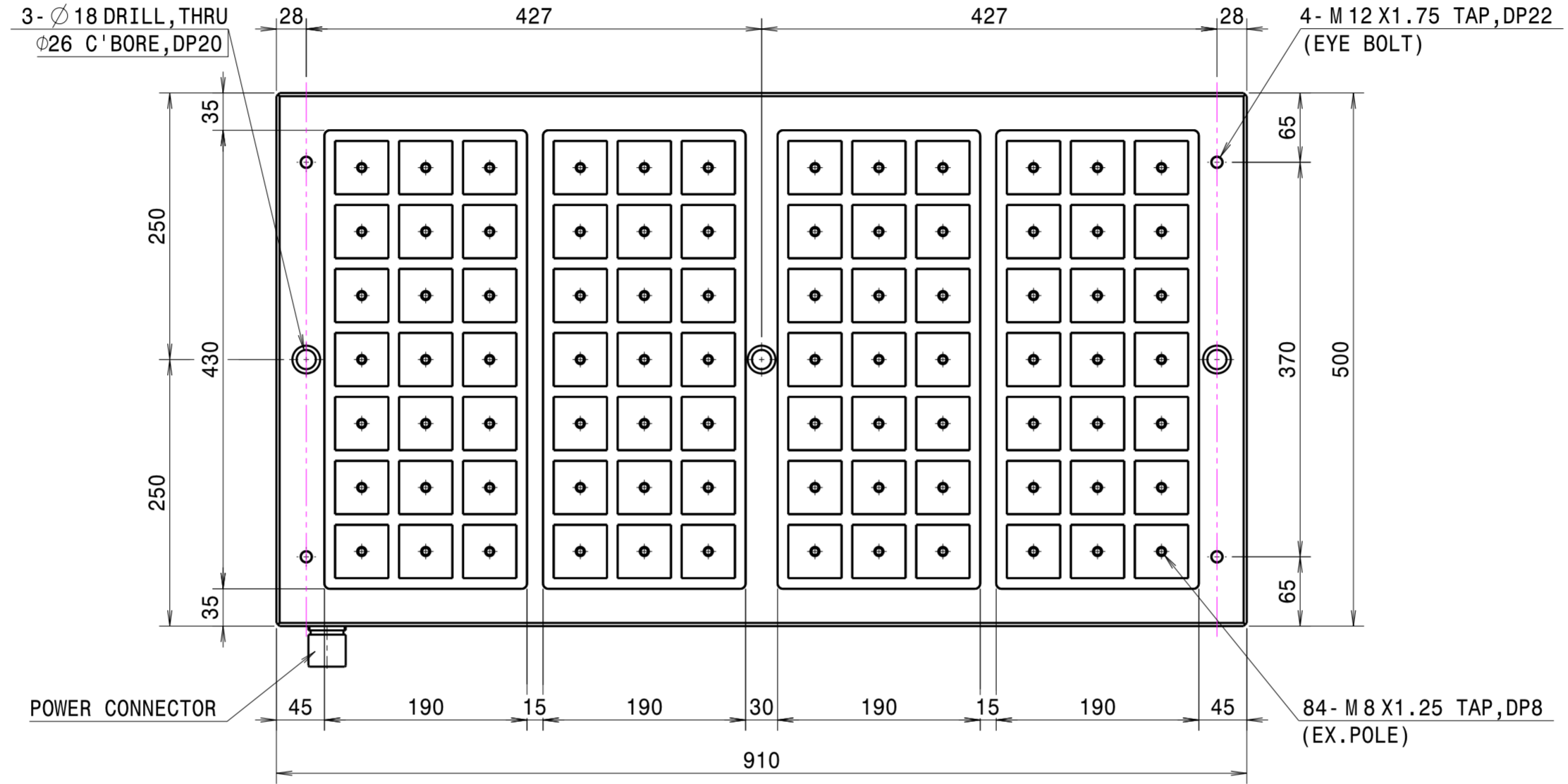
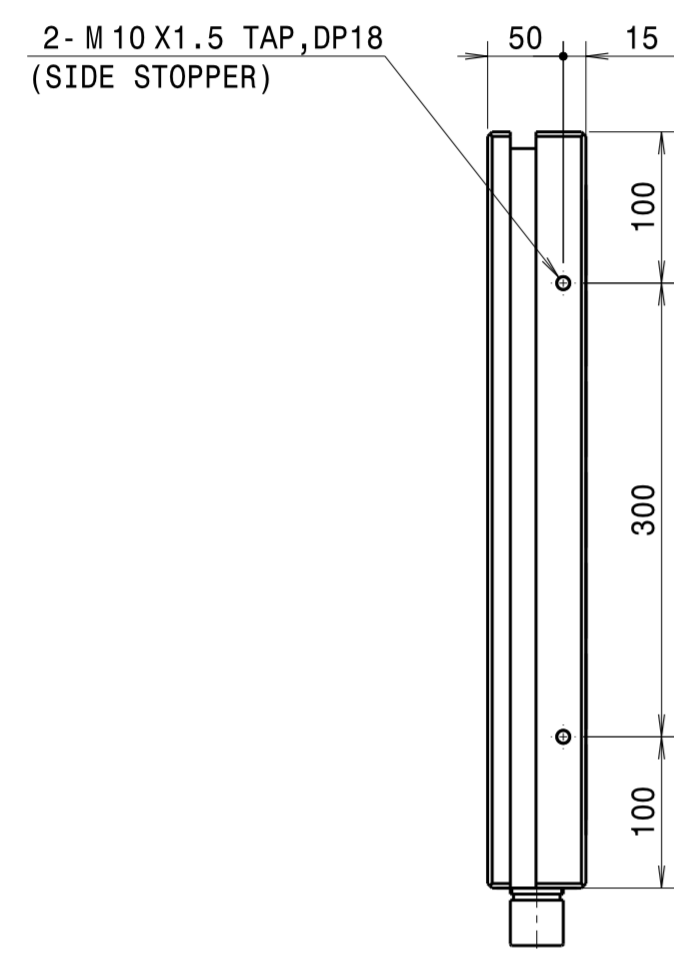
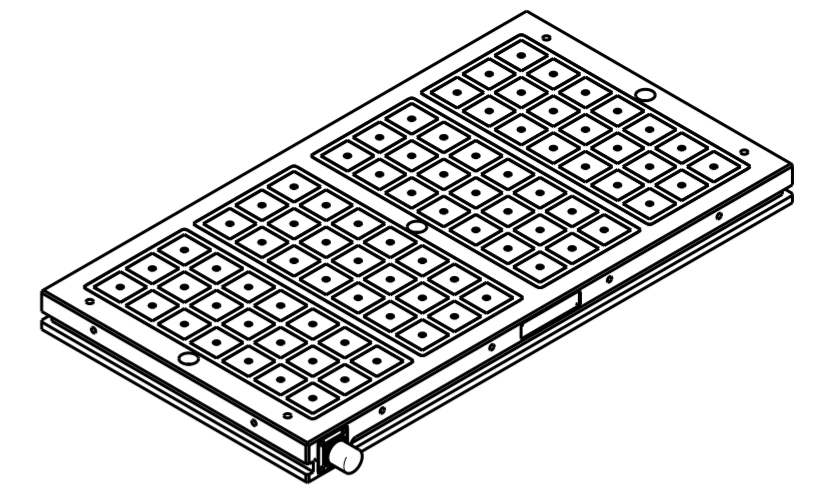


SEP50509 (84POLE)



**Detail A (2:3)
(SIDE SLOT)**

						SURFACE FINISH	~ (▽), (▽▽), (▽▽▽)	APPROVED		TITLE	SEP5050900 - HL_ASS'Y	Q'TY	1
						GENERAL TOLERANCE (MACHINING)		CHECKED		ASS'Y	N/A	W.T (kg)	N/A
						OVER	TO	±0.1		MODEL		SCALE	1/5
						- 6		±0.2		N/A	MAT.	N/A	1/1
						6 - 30		±0.3					
						30 - 120		±0.5	DESIGNED	HS. CHO	REF. DRG. NO.	SEP5050900 - HL	
						120 - 315		±0.8					
						315 - 1000		±1.2					
						1000 - 2000		±2.0	DRAWN	When			
						2000 - 4000		±2.0					
SUFFIX	MARK	SUBJECT		DATE	NAME	CHECKED							

