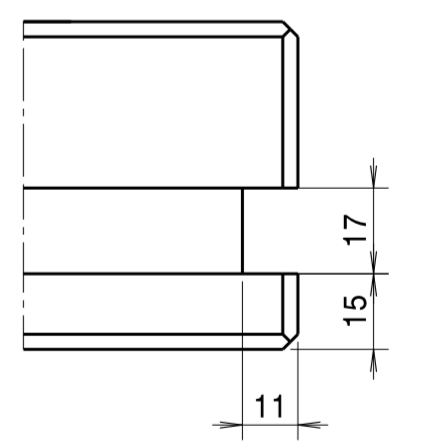
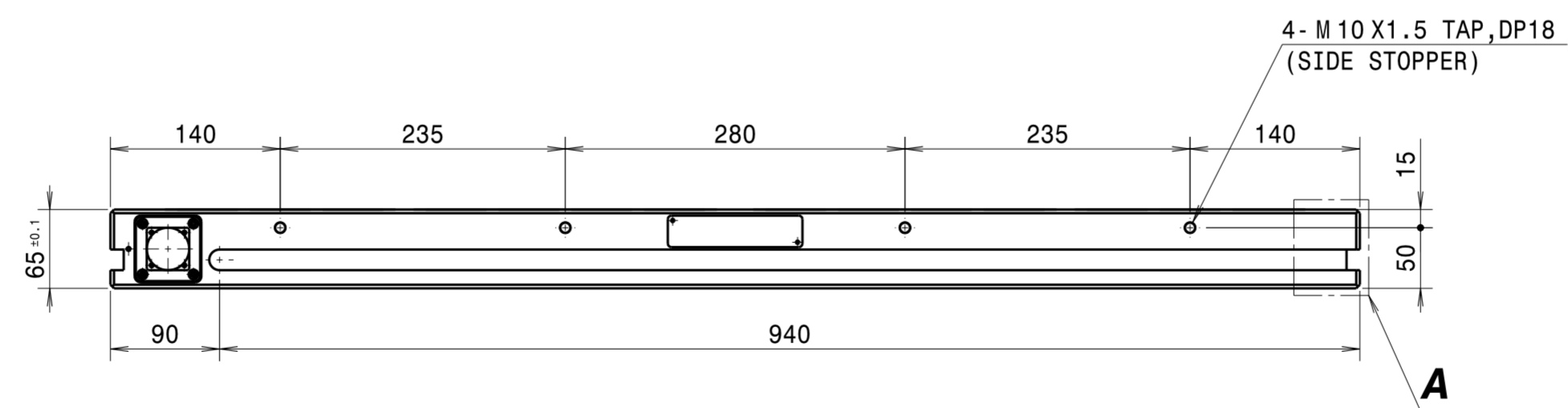
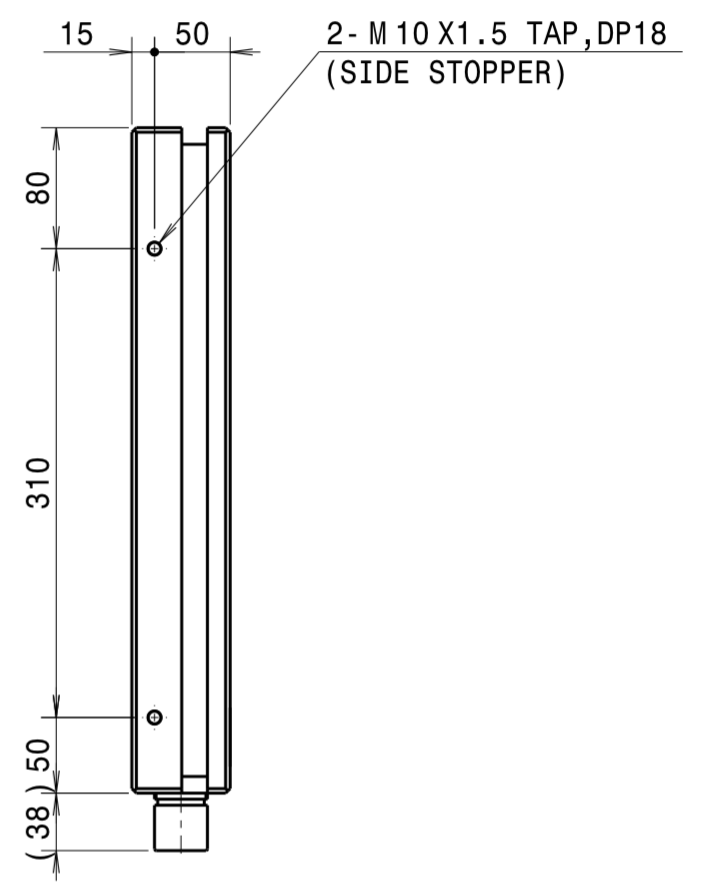
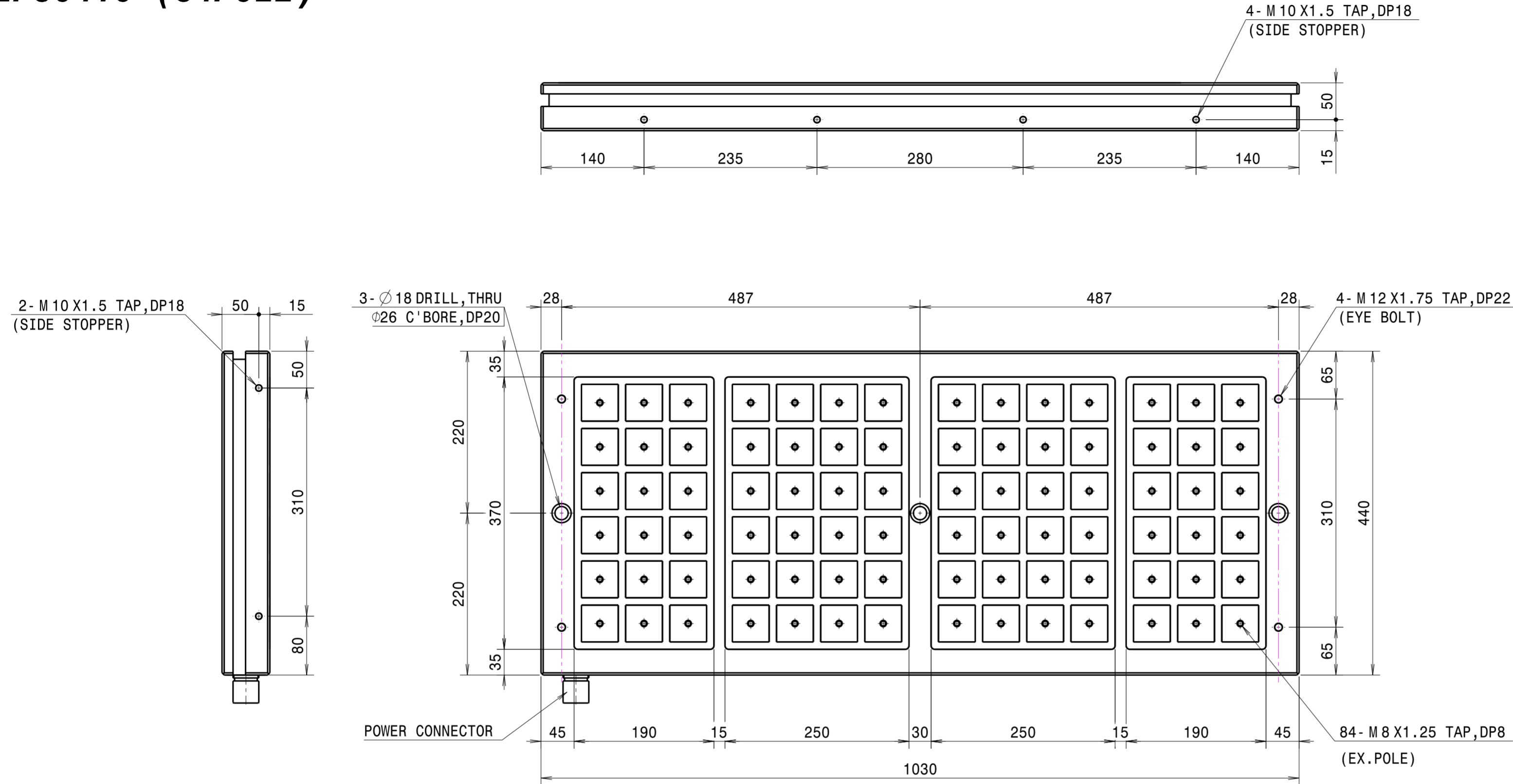
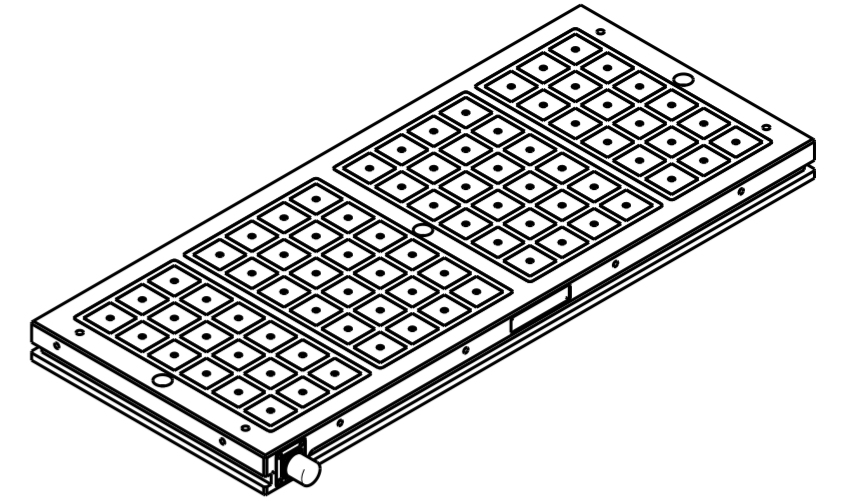


SEP50410 (84POLE)



Detail A (2:3)
(SIDE SLOT)

| | | | | | | | | | | | | | | |
|--------|------|---------|--|------|------|-------------------------------|-------------------------|------------------|----------|---------|---------------------|------|---------------|-----|
| | | | | | | SURFACE FINISH | ~ (▽), (▽▽), (▽▽▽) | APPROVED | TITLE | | SEP5041000-HL_ASS'Y | Q'TY | 1 | |
| | | | | | | GENERAL TOLERANCE (MACHINING) | C1.0 | CHECKED | ASS'Y | | N/A | | W.T (kg) | N/A |
| | | | | | | OVER TO | HEAT TREATMENT HARDNESS | H _R C | N/A | CHECKED | MODEL | | SCALE | 1/5 |
| | | | | | | - 6 | HEAT TREATMENT METHOD | N/A | DESIGNED | HS.CHO | REF. DRG. NO. | | SEP5041000-HL | 1/1 |
| | | | | | | 6 - 30 | SURFACE TREATMENT | N/A | DRAWN | When | N/A | | 상원이엔지 | |
| | | | | | | 90 - 120 | | | | | | | | |
| | | | | | | 120 - 315 | | | | | | | | |
| | | | | | | 315 - 1000 | | | | | | | | |
| | | | | | | 1000 - 2000 | | | | | | | | |
| | | | | | | 2000 - 4000 | | | | | | | | |
| SUFFIX | MARK | SUBJECT | | DATE | NAME | CHECKED | | | | | | | | |