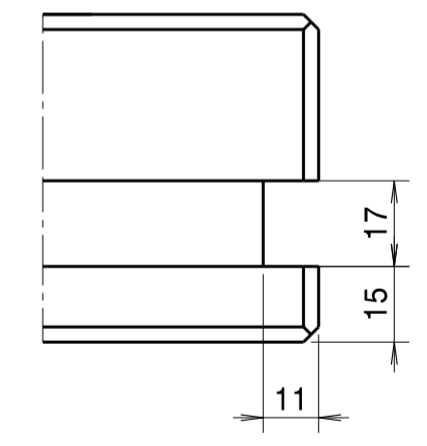
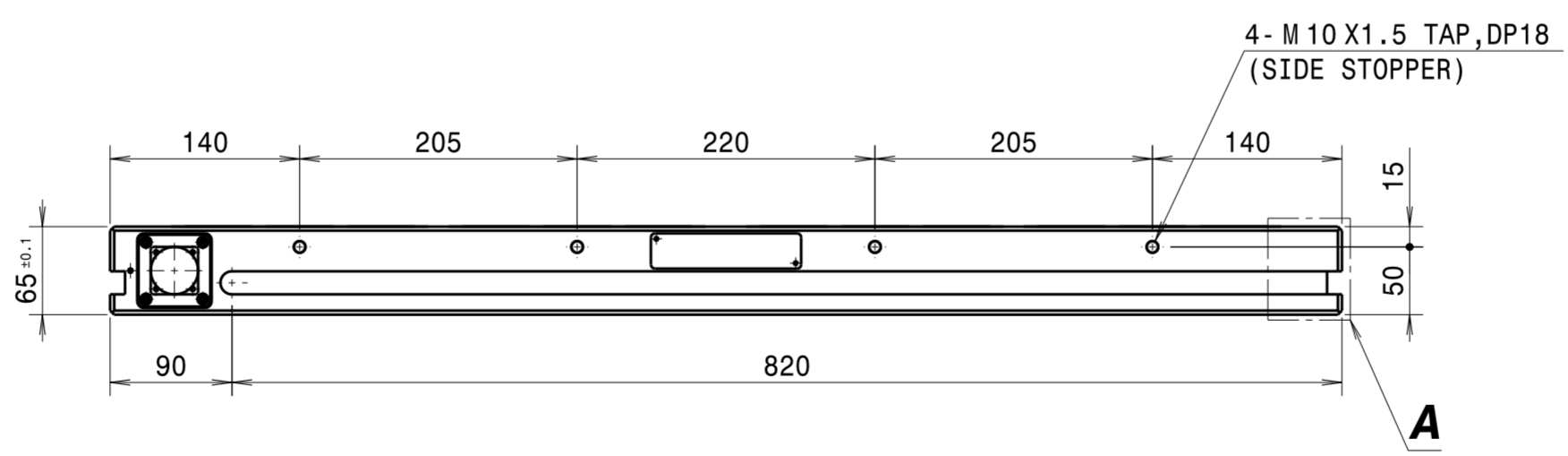
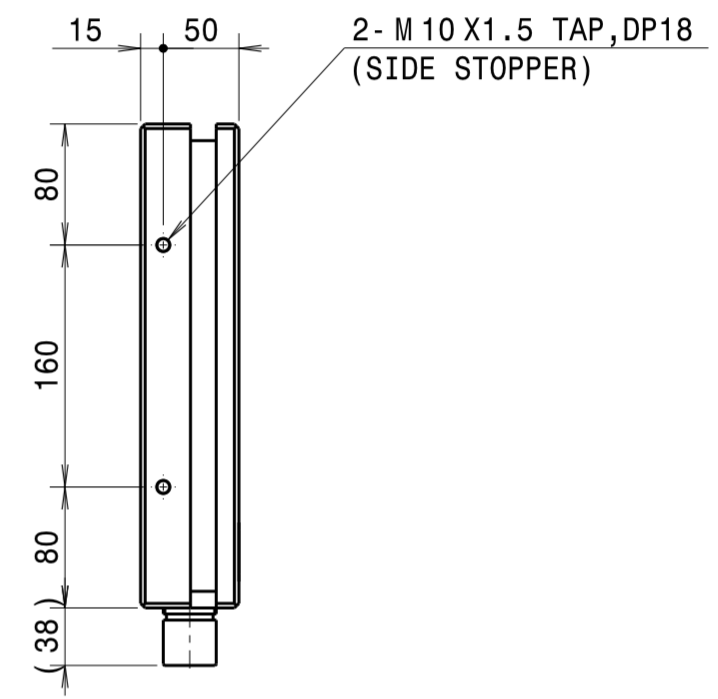
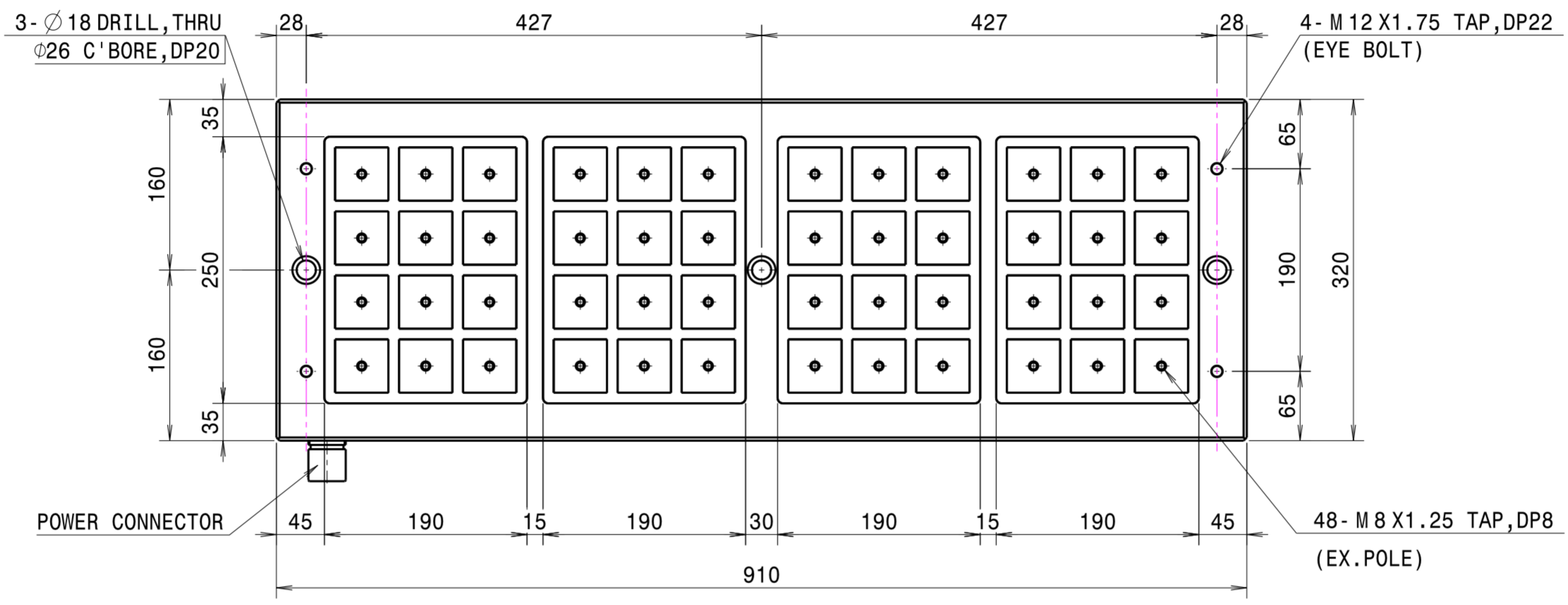
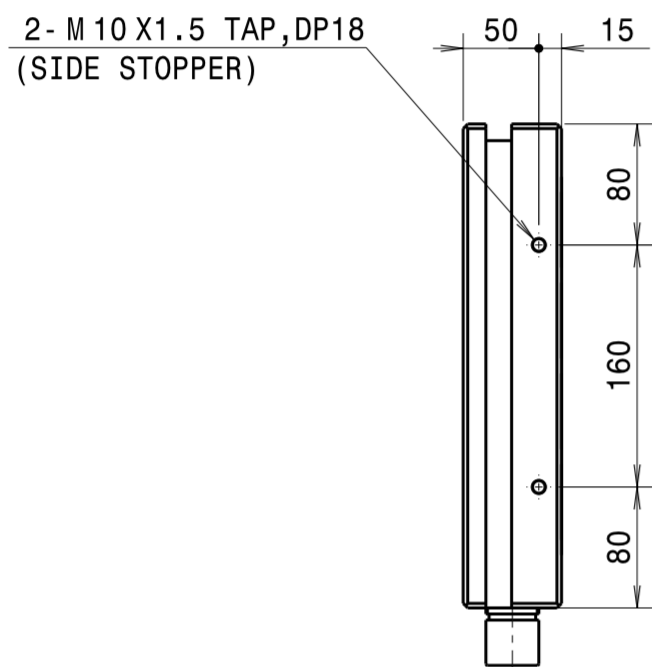
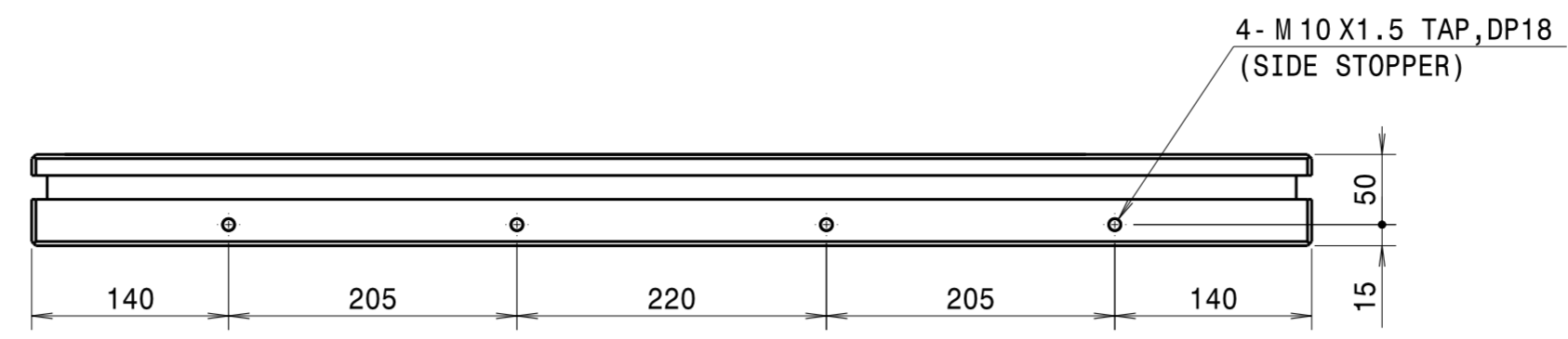
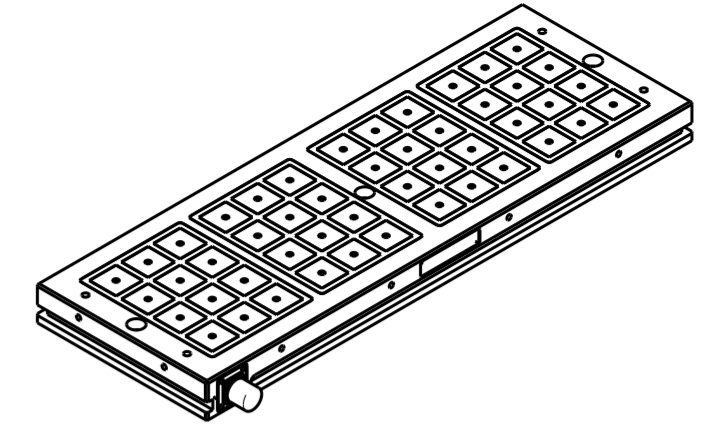


# SEP50309 (48POLE)



**Detail A (2:3)  
(SIDE SLOT)**

						SURFACE FINISH	~ (▽), (▽▽), (▽▽▽)	APPROVED		TITLE	SEP5030900_HL_ASS'Y	Q'TY	1
						GENERAL TOLERANCE (MACHINING)		CHECKED		ASS'Y	N/A	W.T (kg)	N/A
						OVER	TO			MODEL		SCALE	1/5
						- 6	±0.1			N/A	MAT.	N/A	1/1
						6 - 30	±0.2						
						30 - 120	±0.3			DRG. NO.	A2	SEP5030900_HL	1/1
						120 - 315	±0.5			REF. DRG. NO.			
						315 - 1000	±0.8						
						1000 - 2000	±1.2						
						2000 - 4000	±2.0						
SUFFIX	MARK	SUBJECT		DATE	NAME	CHECKED							