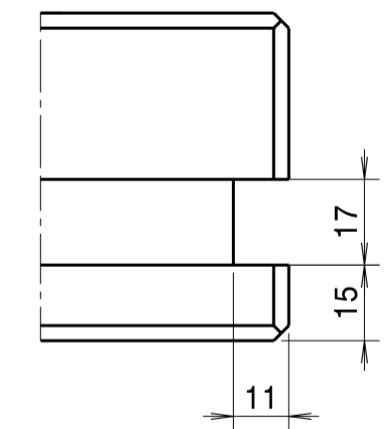
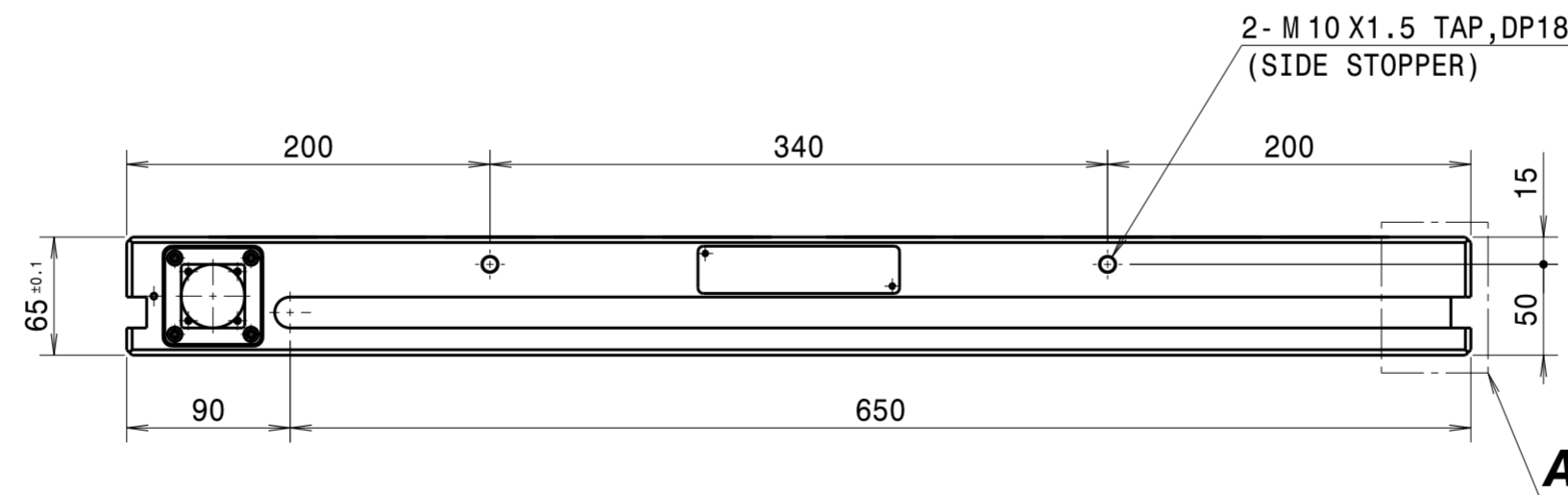
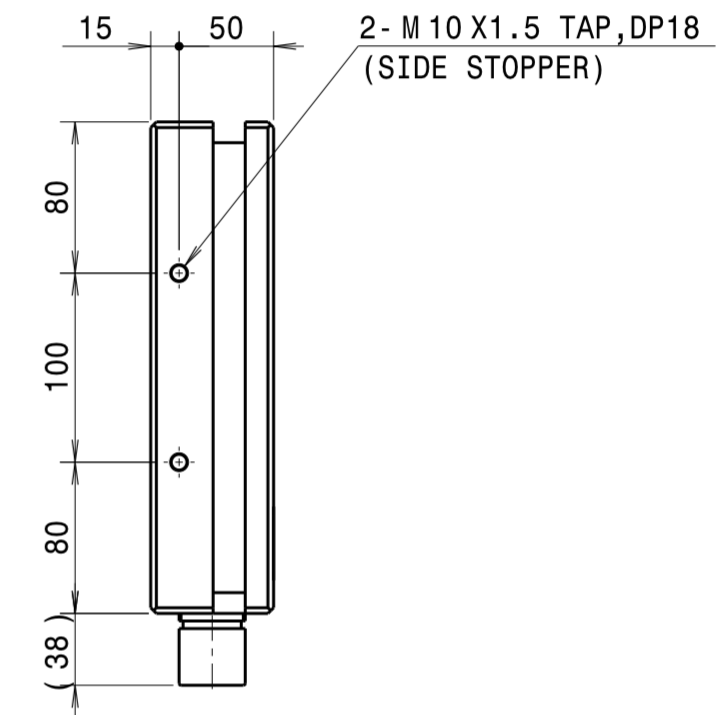
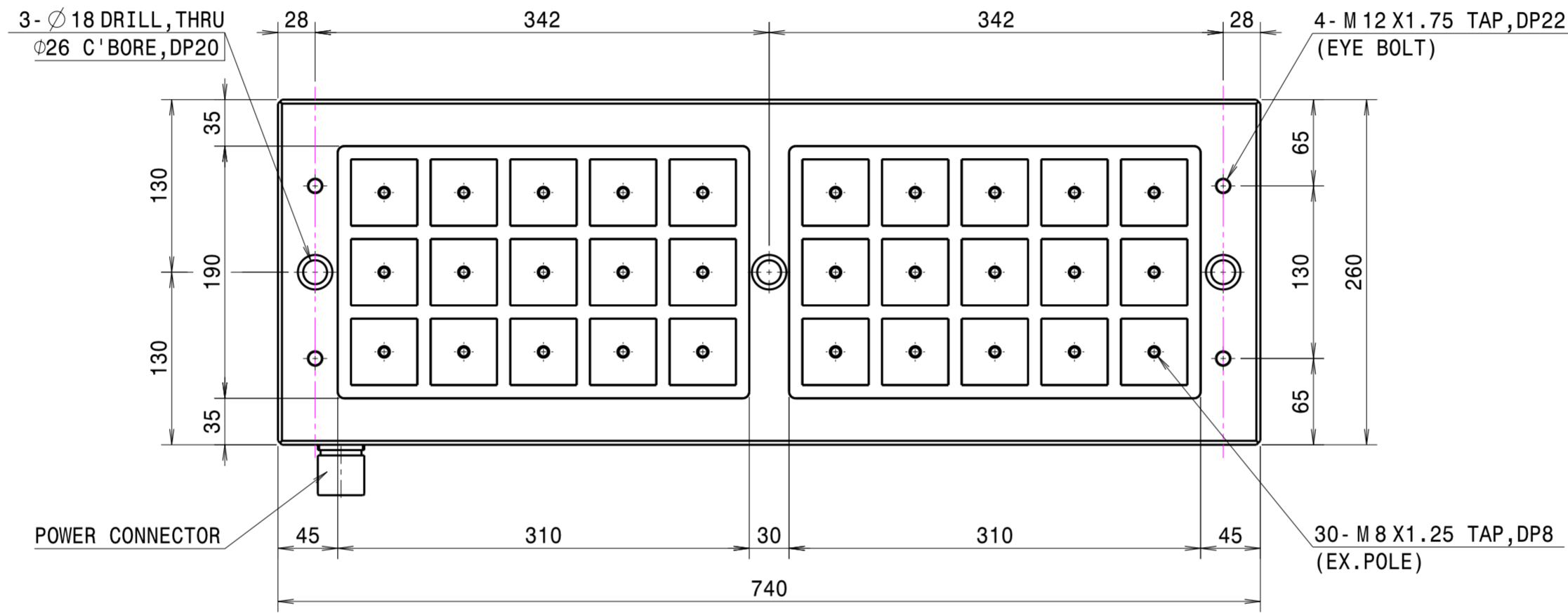
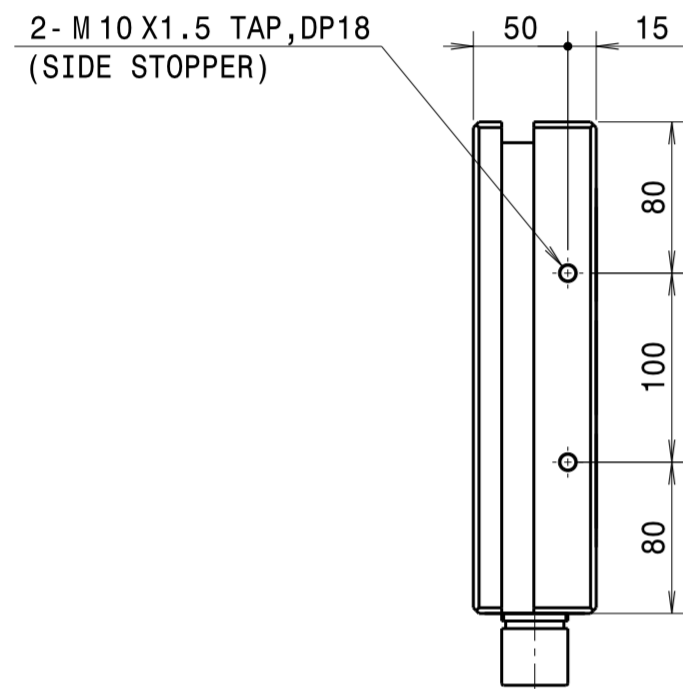
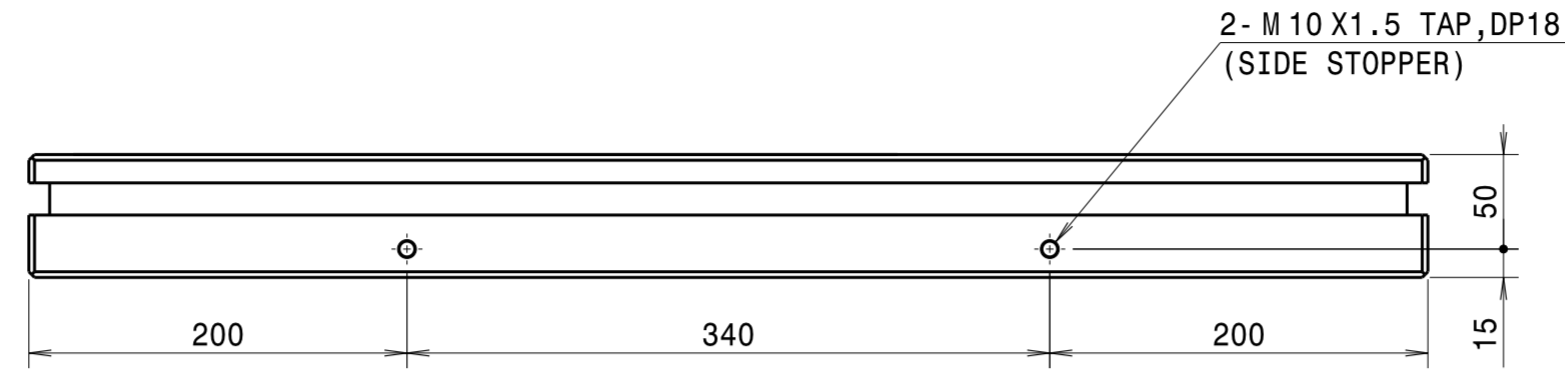
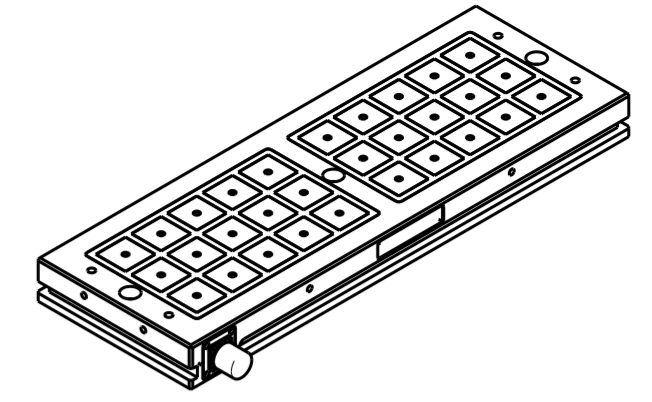


SEP50208 (30POLE)



Detail A (2:3)
(SIDE SLOT)

						SURFACE FINISH	~ (▽), (▽▽), (▽▽▽)	APPROVED		TITLE	SEP5020800 - HL_ASS'Y	Q'TY	1
						GENERAL TOLERNCE (MACHINING)		CHECKED		ASS'Y	N/A	W.T (kg)	N/A
						OVER	TO			MODEL	N/A	SCALE	1/4
						- 6	±0.1			N/A	MAT.	N/A	1/1
						6 - 30	±0.2						
						30 - 120	±0.3			DESIGNED	HS.CHO	REF. DRG. NO.	A3
						120 - 315	±0.5						
						315 - 1000	±0.8			SEP5020800 - HL			
						1000 - 2000	±1.2			1/1			
						2000 - 4000	±2.0			상원이엔지			
SUFFIX	MARK	SUBJECT		DATE	NAME	CHECKED		DRAWN	When				