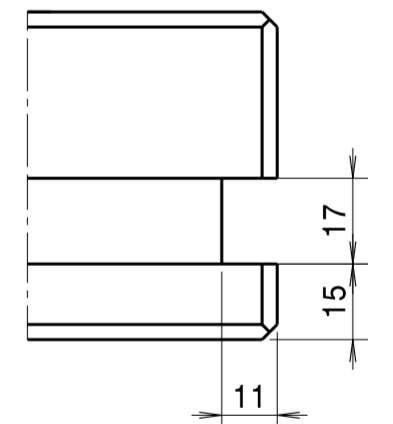
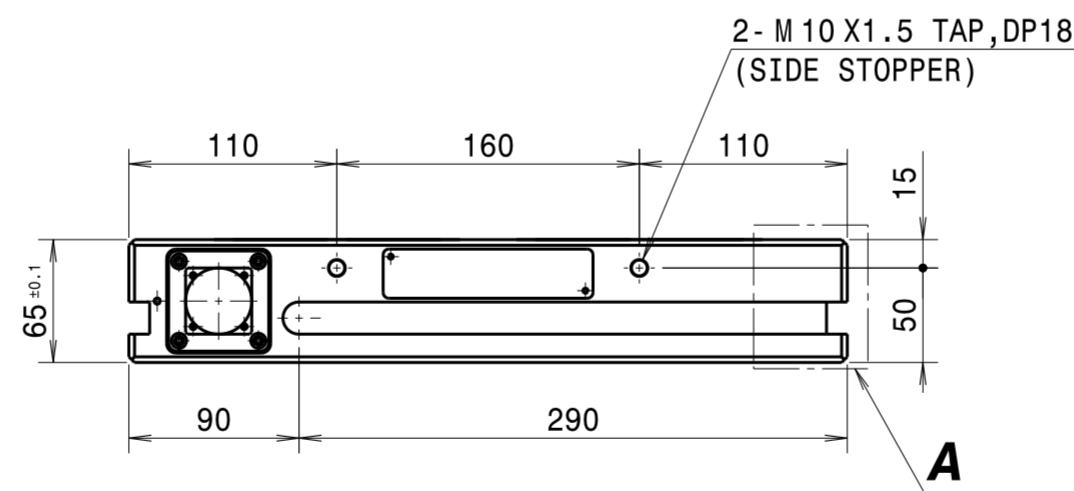
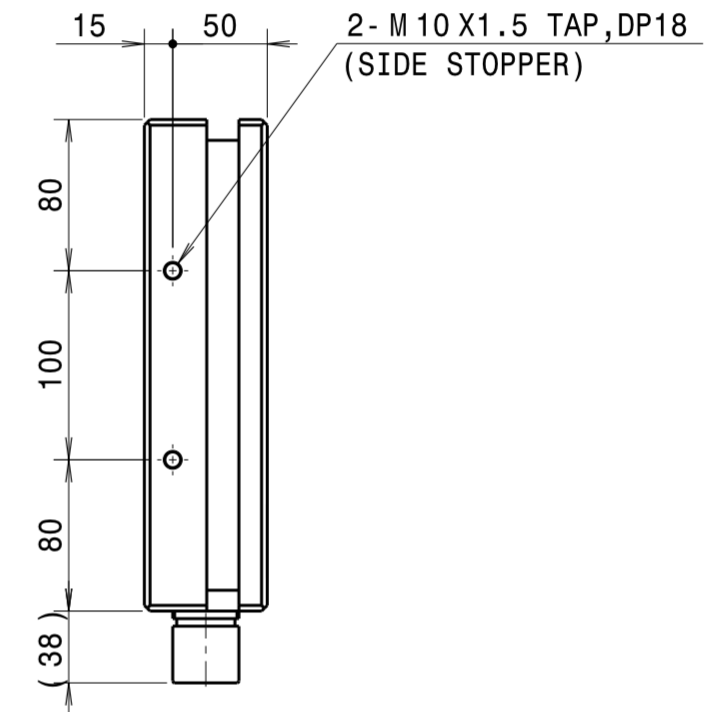
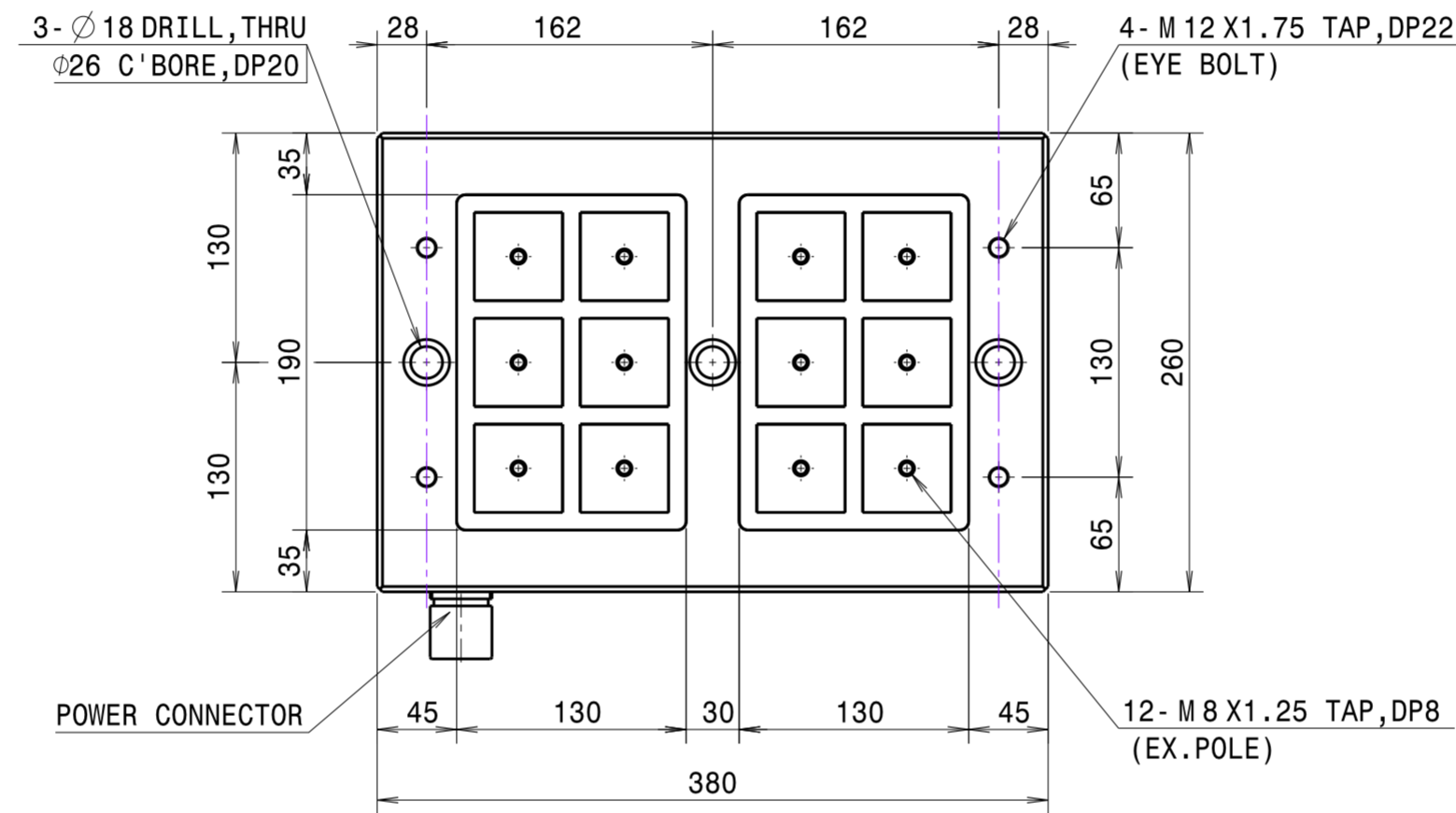
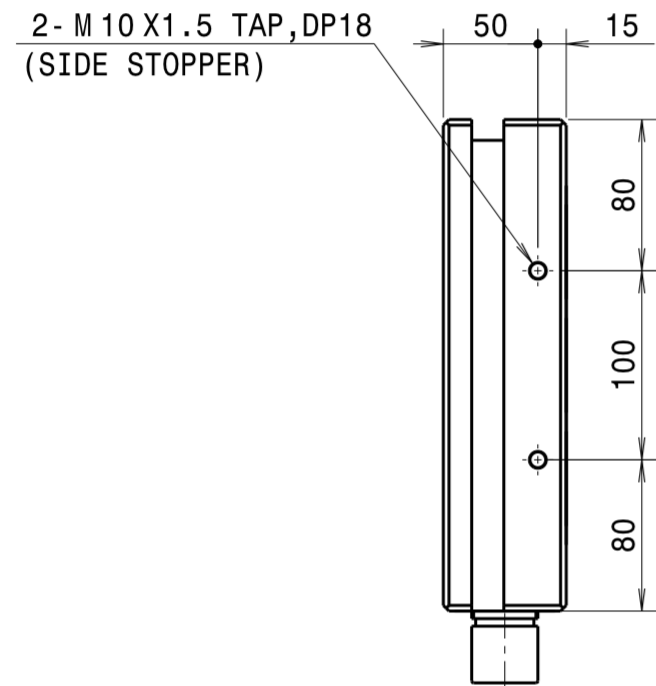
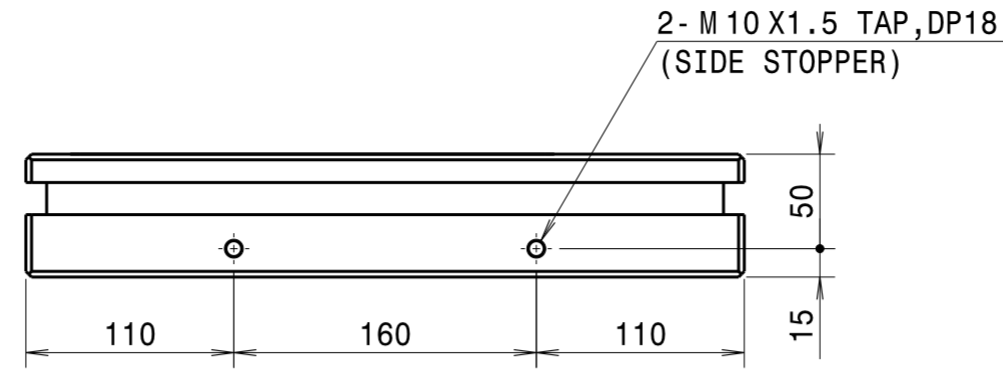
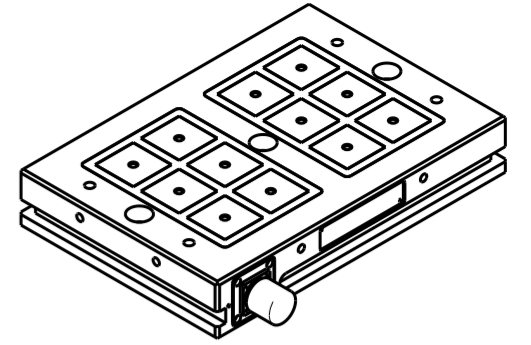


SEP50203 (12POLE)



Detail A (2:3)
(SIDE SLOT)

						SURFACE FINISH	~ (▽), (▽▽), (▽▽▽)		APPROVED			TITLE	SEP5020300 - HL_ASS'Y		Q'TY	1				
						GENERAL TOLERANCE (MACHINING)	C1.0		CHECKED			ASS'Y	N/A		W.T (kg)	N/A				
						OVER	TO	HEAT TREATMENT	H _R C N/A		CHECKED	MODEL		N/A		SCALE	1/4			
						- 6	±0.1	HEAT TREATMENT HARDNESS	N/A		DESIGNED	HS.CHO		DRG. NO.	A3		SEP5020300 - HL	1/1		
						6 - 30	±0.2	HEAT TREATMENT METHOD	N/A		DRAWN	When		REF. DRG. NO.	N/A		상원이엔지			
						30 - 120	±0.3	SURFACE TREATMENT	N/A											
						120 - 315	±0.5													
						315 - 1000	±0.8													
						1000 - 2000	±1.2													
						2000 - 4000	±2.0													
SUFFIX	MARK	SUBJECT				DATE	NAME	CHECKED												